

FOLLOW US



Thank you for your valued support and please help us spread the word through social media with images and comments, once your product has been installed.

www.bidburyandco.com    /bidburyandco

Team Bidbury
EXCLUSIVE

REGISTER TODAY TO RECEIVE YOUR FREE EXTENDED WARRANTY

IT'S AS EASY AS 1,2,3!

www.bidburyandco.com/team-bidbury

Bidbury & Co

FAIRFORD



INSTALLATION INSTRUCTIONS

INTRODUCTION



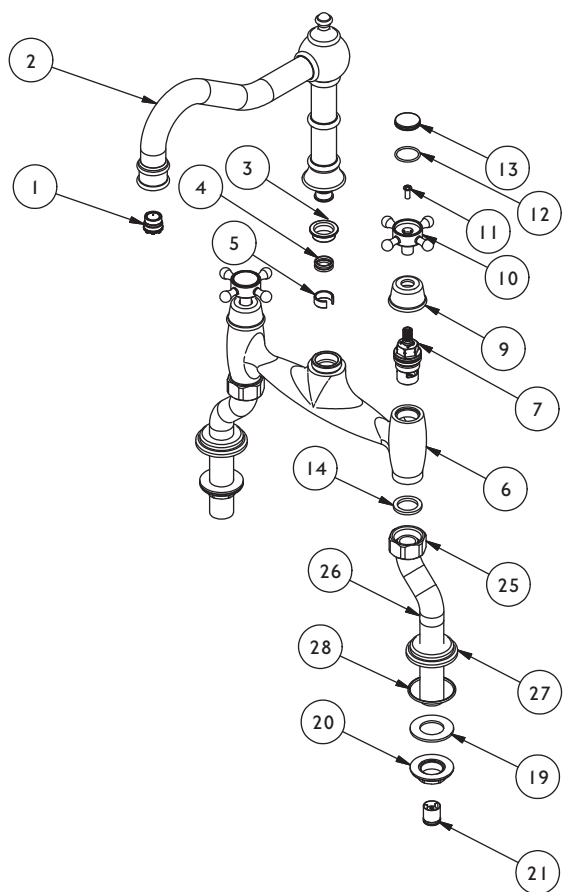
PLEASE READ THESE INSTRUCTIONS CAREFULLY AND KEEP IN A SAFE PLACE FOR FUTURE REFERENCE.

This guide contains general installation instructions on how to install your product. However, it is important that the item is installed by a qualified and experienced professional. Therefore reliance on these instructions will be minimal.

Care taken during the installation will ensure long life and trouble free operations from the tap.

It is extremely important that all pipe work is flushed thoroughly after installation to avoid damaging the ceramic discs. It is recommended that the both hot and cold valves/handles on the tap are opened fully before you turn the water supply back on. This will ensure no debris will get lodged in the disc, causing possible damage.

SPARE PARTS LIST



The set comprises of the following:

ITEM	QTY	DESCRIPTION
1	1	Aerator
2	1	Spout Assembly
3	1	Connector Bushing
4	2	O-Ring
5	1	Connector Ring
6	1	Mixer
7	1	RTC Valve
8	1	LTC Valve
9	2	Valve Cover
10	2	Handle
11	2	Screw
12	2	O-Ring
13	2	Indicie
14	2	Sealing Washer
15	2	Nut
16	2	Leg
17	2	Plate
18	2	O-Ring
19	2	Washer
20	2	Nut
21	2	Non-return Valve

Check that all parts are present.

INSTALLATION



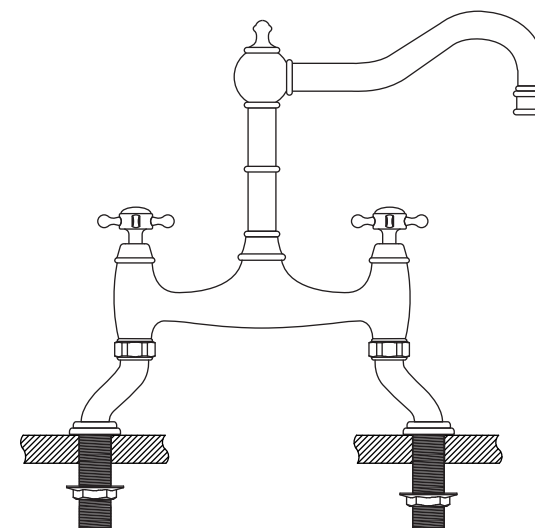
Ideally you will have isolating valves already fitted to your supply pipework. If so close both the hot and cold isolation valves and open the tap levers to release any trapped water/pressure. You can now disconnect the old tap. If you do not have isolating valves fitted to the existing tap, you will then need to shut off the main water supply by following the next step.

First shut off any stop cock on your hot water system then, with your mains cold water stop cock also closed, open the lowest hot and cold taps in the house and allow to run until both hot and cold pipes are empty (the hot water storage cylinder always remains full but cannot empty due to being shut off).

Fitting isolating valves to the inlet feeds is recommended for ease of maintenance.

REMEMBER TO TURN OFF THE MAINS WATER SUPPLY BEFORE CONNECTING TO ANY EXISTING PIPE WORK.

- Identify all components before fitting;
- Ensure the tap legs are connected to the body of the tap and firmly hand tightened. **DO NOT** use a tool as this will cause damage to the surface. **DO NOT** overtighten.
- Use the nut on the underside of the tap hole to tighten and ensure the tap body is tight and does not wobble.
- Connect both hot and cold water supplies and any non-return valves supplied/needed.
- Before turning the water supply back on **ENSURE** both hot and cold levers are in the open position. This is important to ensure no debris from the pipework gets lodged in the ceramic valve, causing damage/dripping.
- Check for joint and connection leaks.



ENSURE YOU HAVE THE CORRECT PRESSURE BEFORE FITTING:

- Recommended operating pressure 1.0 Bar
- Maximum operating pressure 3.0 Bar

REGULAR DAILY CLEANING



The surface finish we use on our taps is very durable and hardwearing. However, care should still be taken when cleaning them. They should be cleaned only with warm soapy water followed by rinsing with clean water and drying with a soft cloth. All finishes are vulnerable to astrong cleaning agents and therefore substances such as household cleaners, disinfectants, denture cleaners, hair dyes can cause damage to the surface and should be avoided.

For more detailed information on taking care of your Bidbury tap visit: www.bidburyandco.com/care-instructions/