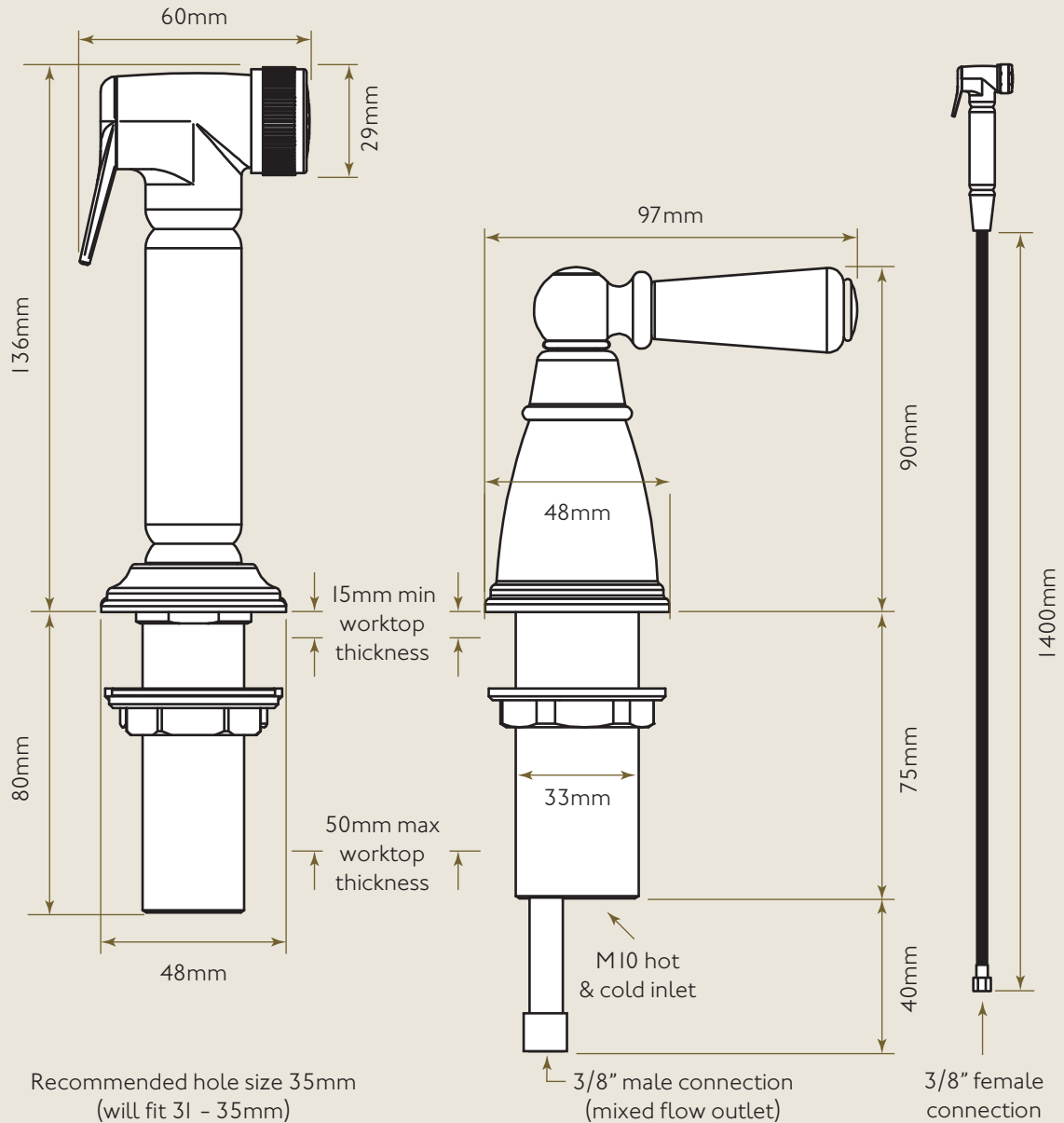


Bidbury & Co

Traditional Kitchen Tap Collection

Taynton



RECOMMENDED HOLE SIZE 35mm

ENSURE CORRECT PRESSURE BEFORE FITTING:
 Minimum operating pressure 2.0 Bar
 Recommended operating pressure 2.5 Bar
 Maximum operating pressure 3.0 Bar

INDEPENDENT SPRAY WITH LEVER HANDLE